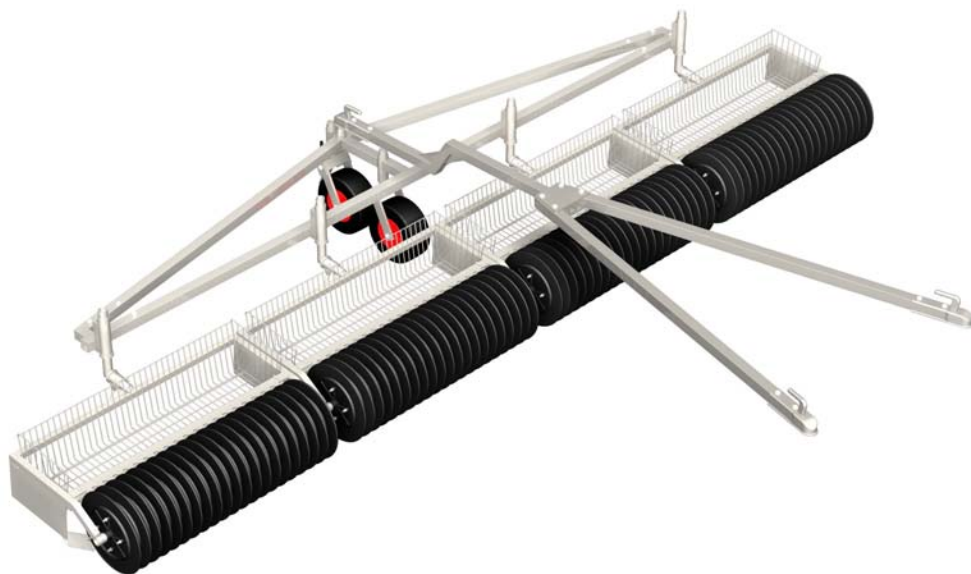


RangeMaxx[®]

User's manual

Line collector



1. Contents

- 1. Contents 1
- 2. Foreword..... 2
- 3. Warranty and liability 3
- 4. Safety 4
 - 4.1 Safety remarks 4
 - 4.2 Intended use and operation 4
- 5. Overview 6
- 6. Installation instructions 8
- 7. How to use the ball collector?..... 8
- 8. Maintenance..... 9
 - 8.1 Cleaning in general 9
 - 8.2 Replacing discs 9
- 9. Technical data 11

2. Foreword

You have a Range Maxx® line collector. We thank you for the faith that you have in our product. With the design and fabrication of our product we have given our best effort to the quality and durability in combination with an immense user- and maintenance friendliness. If you follow the instructions in this manual, the Range Maxx® line collector will serve you for many years without hesitations.

This manual has been written for the Range Maxx® line collector and the line collector with mechanical dump installation.

This machine is exclusively meant for collecting golf balls. By change of usage, the CE marking loses its validity.

3. Warranty and liability

Range King golf course equipment gives you a warranty on a new machine for a period of 12 months on the mechanical and eventual electric parts.

Excluded from this warranty are failures, which are partially or fully caused by:

- a. non-observance of the operation- and warranty instructions or other than normal usage;
- b. normal wastage;
- c. alteration or repair by or on behalf of the buyer performed by third parties, without written approval of Range King;
- d. use of assemblies, which have not been supplied or mounted by Range King;
- e. damage to the machine caused during transportation, in case this damage is not reported instantly after receipt of the machine. Therefore, always immediately examine the machine completely and report transport damage.

Always mention in all correspondence the details mentioned on the identification tag. This tag is fixed to the A-frame.

If anything is not clear to you with reference to this product, please contact:

Range King golf course equipment
Dirk Storklaan 23-24
NL-2132 PX Hoofddorp
The Netherlands

www.rangeking.nl

T +31 23 562 3855
F +31 23 561 0262
info@rangeking.nl

4. Safety

Inappropriate use and/or assembly can possibly lead to material or physical damage.

Read this manual thoroughly.



4.1 Safety remarks

In case of material or personal accidents, caused by injudicious use or not following the safety instructions as described in the manual, we accept no liability.

The machine left the production factory in a perfectly safe state. In order to keep this state and to guarantee usage without danger, you must carefully follow the safety instructions and safety warnings mentioned in this user's manual.

Because of safety measures and admission demands (CE) it is not permitted to make alterations to the machine or its components.

Please refer to your supplier or a skilled craftsman if you have questions regarding the working method, safety or connections of the machine.

Do not leave the packing material unguarded. These materials can be hazardous for young children.

If it can be assumed that safe usage is not possible anymore, you must put the machine out of order and prevent intended usage. One can assume that safe usage is not possible anymore in case:

- the machine shows obvious damage;
- the machine does not function anymore;
- after a long period of storage under bad conditions
- after heavy transport circumstances

4.2 Intended use and operation

The Range Maxx® line collector is exclusively designated to collector golf balls from the driving range. The ball collector is being pushed by a buggy or an equivalent vehicle.

The distance between the rotating plastic discs of the collector, which is being pushed by an external source, have been dimensioned in a way that the golf balls stick between the discs. The fingers relieve the balls from the discs, and put the golf balls in the baskets. Once the baskets are filled, they can be emptied.

The baskets of the Range Maxx® line collector have to be emptied manually. We have two different options; the large single basket and the smaller twin basket.

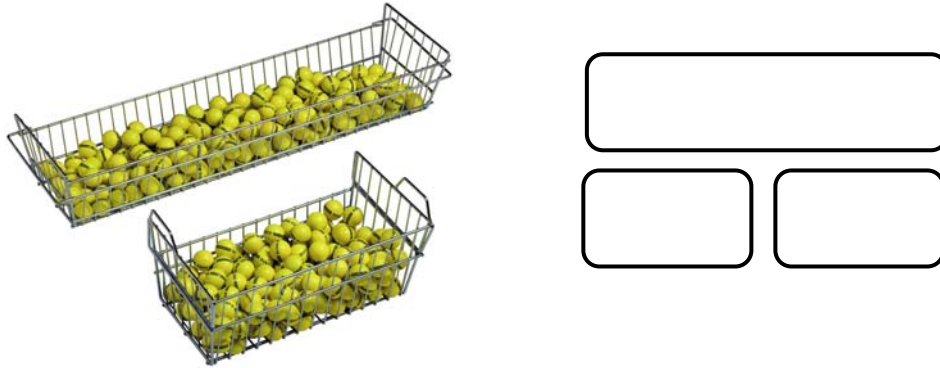
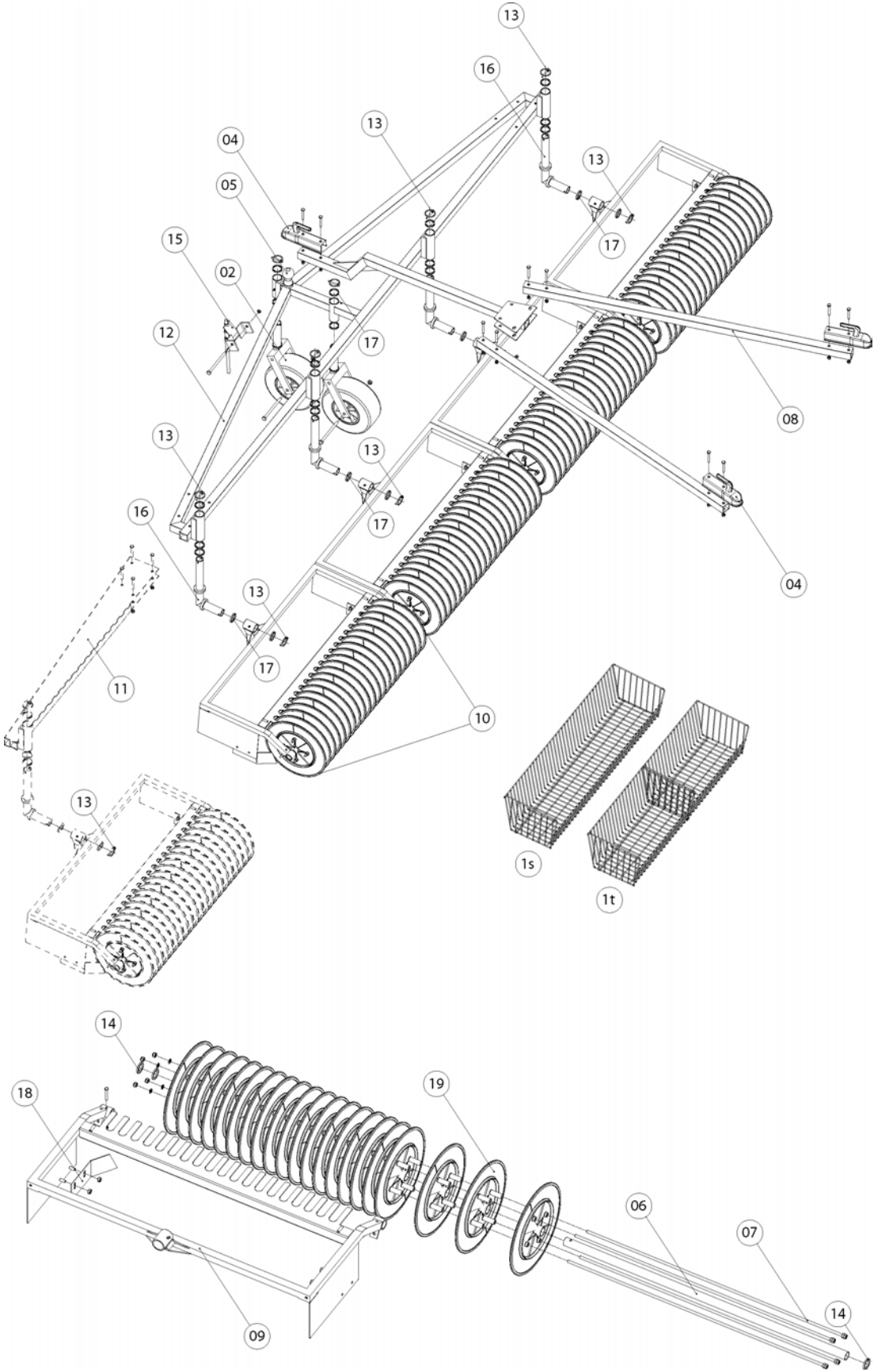


Image 4.1, single basket and twin basket

The Range Maxx® line collector with mechanical dump installation empties the frames mechanically. The collector is being driven above the dump ditch. A bracket is located over the whole width of the dump pitch. Because the levers are forced backwards by this bracket, the lids of the frame opens and the balls fall into the pitch by means of gravity.

5. Survey



- 01s. Basket (single) (4x*)
- 01t. Basket (twin) (8x)
- 02. Wheel fork + wheel (2x)
- 04. Ball joint (3x)
- 05. Ball bolt + nut (1x)
- 06. Disc axle (4x)
- 07. Rod end disc set (16x)
- 08. Push bar complete (1x)
- 09. Finger frame (4x)
- 10. Disc set (complete) (4x)
- 11. 6-gang extension set (L/R)
- 12. A-frame (1x)
- 13. Clip (10x)
- 14. End ring disc set
- 15. Ball diverter (1x)
- 16. Elbow (4x)
- 17. Elbow ring
- 18. Sweeping bar (L/R) (8x)
- 19. Disc (21 per set)

*Quantity for 4-gang line collector



Image 5.3, finger frame with single basket

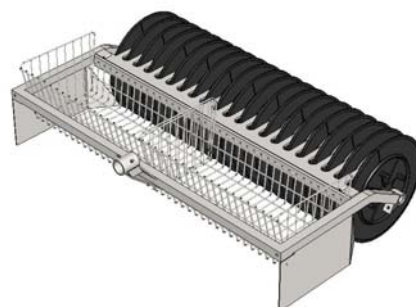


Image 5.4, finger frame with twin basket

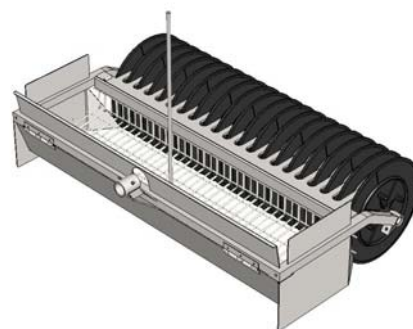


Image 5.5, finger frame with mechanical dump

6. Installation instructions

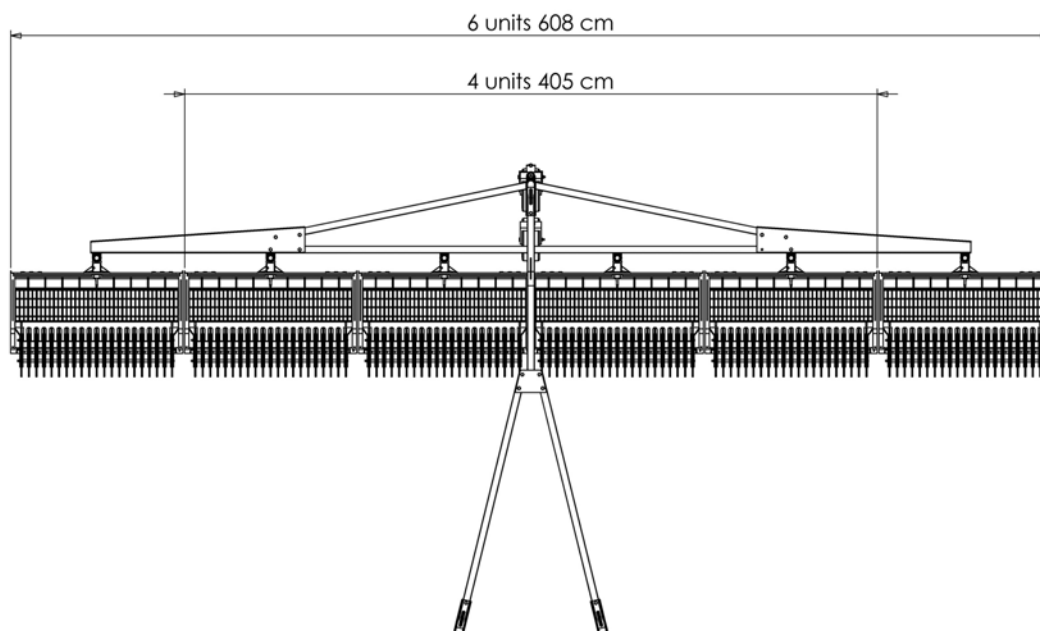


Image 6.1, width with or without extension

- connect two balls with a distance of ± 70 cm to the pushing vehicle (not included)
- connect the wheel forks (4) to the A-frame
- connect all elbows (2) to the A-frame with the clips
- connect the finger frames (7) to the elbows
- in case of a 6-gang collector: connect the extensions with the enclosed bolts, connect the elbows and the finger frames
- connect the push bar (1) to the A-frame (9)
- Connect the ball joints of the push bar to the pushing vehicle and the collector is ready for use.

7. How to use the ball collector?

- Drive as much as possible in a straight line, or in large circles;
- Never exceed the maximum speed: 15 km/hr;
- Only use the collector for the intended usage: never burden the collector with other items than golf balls in the baskets;
- The baskets have to be emptied before they overflow. In case of the version with the baskets, this is done manually. The Range Maxx® line collector with mechanical dump installation should be emptied in the designated dump pitch. Approach the bracket slowly in order to open the lids.

8. Maintenance

Periodic inspection and maintenance are necessary to make the collector function optimal and to prevent defects.

- Daily:

Remove collected grass and other flaws.

- 1st Monday of the month:

Check the greasing of the elbows and the wheel forks. Grease all the turning points with grease nipples (A-frame and elbows) at least 3 times a year. Before doing this, clean the collector with a dry cloth and remove redundant grease.

- 1 February, 1 June and 1 October;

Check the sideward margin on the disc axle and if the discs are still well fixed together. If necessary, add disc axle rings and fix the rod ends. Check the discs for damage, replace damaged sets if necessary. Follow the manual 'replacement of discs'.

The collector is protected against rust by means of a solid layer of zinc. In order to optimize the life span, we recommend treating damaged part of the collector with a zinc spray coating.

8.1 Cleaning in general

After removal of the redundant grease with a dry cloth, the collector can be cleaned with water. Immediately remove obstacles, such as bricks and branches, from the disc set.

8.2 Replacing discs

If the collector does not perform optimal anymore, it might be that all or some discs are damaged or worn out. These discs can be ordered separately or as set from your Range Maxx® dealer. The disc sets can easily be replaced by following under mentioned actions.

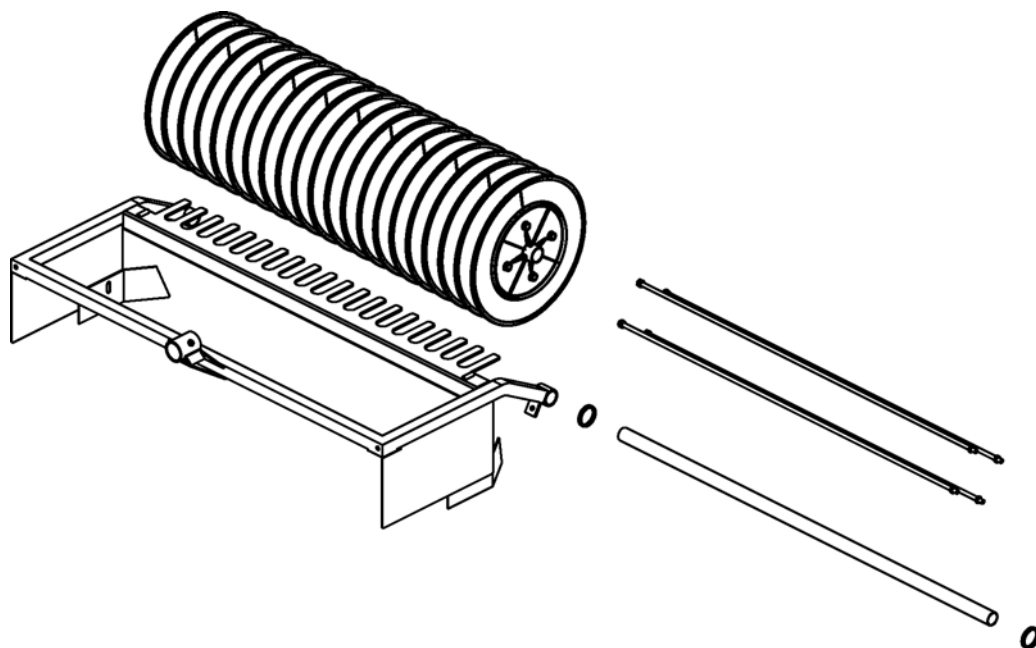


Image 8.1, assembly disc set + finger frame

- Unscrew the axle and pull this out of the finger frame and the disc set
- Unscrew the nuts of the rod ends
- Remove the replaceable discs and replace these by new ones. On the discs you find 'lines', which function as reliefs. Make sure these are located opposite to each other.

Use the axle as a centre-guide for the separate discs.



- One complete disc set exists of 20 normal discs, 1 end disc, 4 rod ends and 8 nuts with fixing nuts. The spacers from the end discs have been removed.

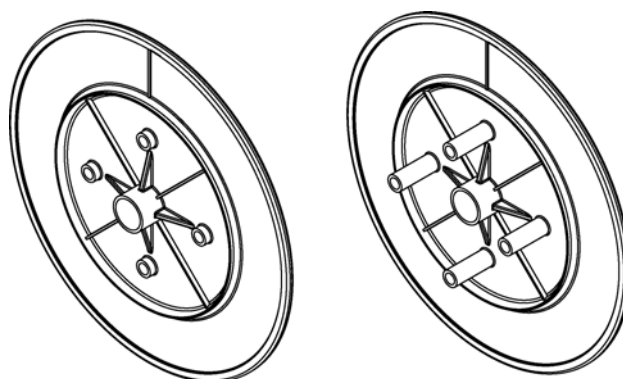


Image 8.2, end disc and disc with spacers

- Fix the rod ends one by one, do this crosswise and not too tight. Check after a month if the rod ends are still fixed enough.

- Position the disc set in the finger frame so that every finger of the finger frame is located exactly in the middle between the discs. This position can be adjusted by adding disc axle rings between the disc set and the finger frame.

Grease the axle slightly before sticking it through the disc set and the finger frame.



- Eventually fix the axle again.

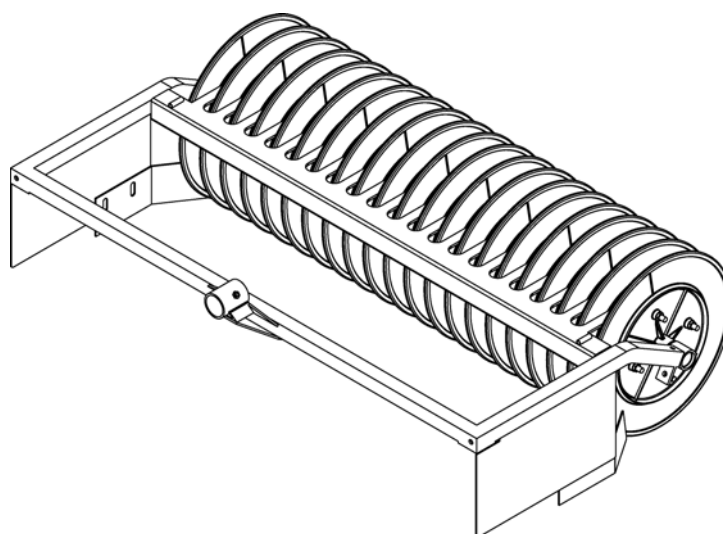


Image 8.3, complete finger frame + disc set

9. Technical details

| Range Maxx® line collector | | | |
|----------------------------|---------------------------|---------------------------|---|
| | line collector 4 units | line collector 6 units | line collector with mechanical dump inst. |
| Weight | 160 kg | 215 kg | 160 kg |
| Width | 4 m | 6 m | 4 m |
| Capacity baskets | 2600 balls | 3900 balls | 2600 balls |