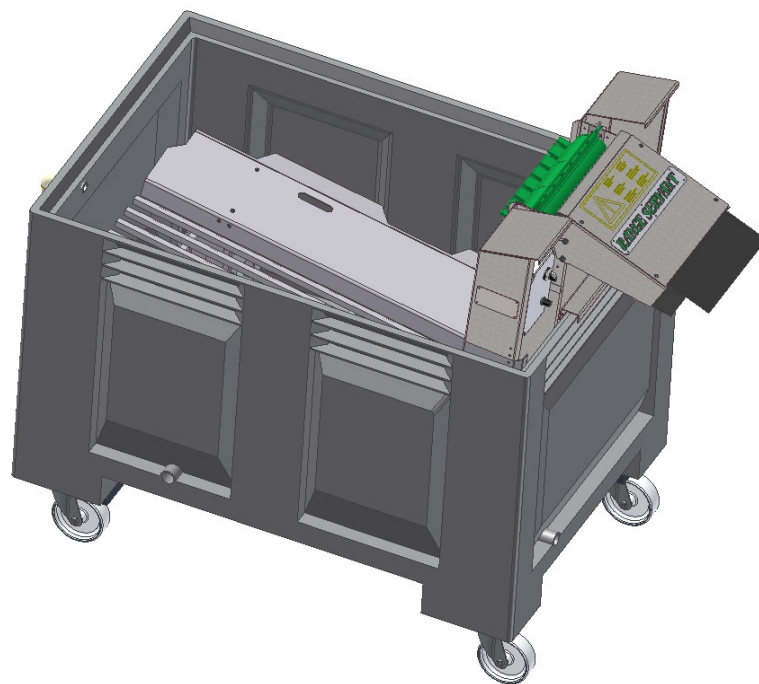




ENGLISH

RANGE SERVANT[®]

<http://www.rangeservant.com>



INSTRUCTION MANUAL

SOAKER 4000

CONTENTS

1	<u>General</u>	4
1.1	Preface	4
1.2	EC Declaration of Conformity	5
1.3	Description	6
1.3.1	Pre Soaker	6
1.3.2	Ball Management System	6
1.4	Identification	6
1.5	Technical Data	7
2	<u>Safety</u>	9
2.1	General	9
2.2	Conformity with mandatory requirements	9
2.3	Remaining hazards	9
2.4	Authorised use	10
2.5	Prohibited use	10
2.6	Emergencies	11
2.6.1	Fire	11
2.7	Operational reliability	11
3	<u>Installation and Operating Instructions</u>	11
3.1	Removing packing material and installation	11
3.2	Operating Instructions	12
4	<u>Design and Function</u>	14
4.1	General	14
4.1.1	Main Components	14
5	<u>Maintenance</u>	15
5.1	General	15
5.2	Periodical maintenance	15
5.2.1	When the result is not satisfactory	15
5.3	Trouble shooting and Repair	16

6 Spare Parts **17**

6.1.1 Soaker 4000 17

7 Agents and distributors **18**

7.1 North American Head Office Fel! Bokmärket är inte definierat.

7.2 Your Distributor or Sales Representative **18**

Title:	br01presoaker3600-e.doc
Prepared by:	Peter von Feilitzen
Date:	28/02/2007
Number of words:	2671
Version:	55

1 General

1.1 Preface

We congratulate you to your new Range Servant Equipment. You have made a good choice! Not only have you chosen an excellent state-of-the-art Pre Soaker with little demands on maintenance but you have also chosen quality. Quality is ensured with the help of modern production techniques, carefully chosen materials and the responsible workmanship of our staff.

This Instruction Manual contains all the information necessary to fully understand the maintenance and operation of the equipment.

Study the User's Guide carefully before using the equipment. If these instructions are not followed, persons using the equipment might be injured or the equipment itself be damaged. In many cases, following the instructions is a necessary condition for Range Servants' warranty to be applicable. Every person operating the equipment must read these instructions.

No part of this publication may be reproduced without the written authorisation of Range Servant.

The equipment has a one-year warranty. Study the warranty conditions carefully and keep them in a safe place. If you have any questions, or if problems should arise, please contact your Range Servant representative.

ONE YEAR WARRANTY

Range Servant AB hereby offers a warranty of one year from the date of shipment from the factory on material and function of the RANGE SERVANT product specified in this Manual. This engagement applies to repaired or replaced components for a period of three months. This undertaking only applies to the original purchaser. Furthermore, it is limited to the components that the manufacturer finds to be faulty when inspected.. Repairs or replacement of components shall be carried out by a representative authorised by the manufacturer. The manufacturer further guarantees that the equipment supplied corresponds to the product description issued. **THE UNDERTAKINGS SPECIFIED IN THIS AGREEMENT CONSTITUTE THE MANUFACTURER'S SOLE OBLIGATION TOWARDS THE PURCHASER. THE MANUFACTURER DECLINES ALL RESPONSIBILITY FOR ANY FORM OF PROMISE OUTSIDE THE FRAMEWORK OF THIS GUARANTEE CERTIFICATE.** The manufacturer also declines all responsibility for promises that might have been made by a third party in conjunction with the sale. The guarantee contract does not apply to equipment that has been repaired or has had components replaced by persons/companies not authorised by the manufacturer. The manufacturer's guarantee is void if equipment has been incorrectly used, damaged by lack of maintenance / accident or has not been handled in accordance with the written user's manual supplied on delivery. Finally, the manufacturer is exempted from financial responsibility for any kind of injury which might arise in conjunction with the sale and repair of equipment, and from injury suffered by third parties in conjunction with use of the product.

1.2 EC Declaration of Conformity

In accordance with the Equipment Directive 89/392/EEC, annex 2A.

The Manufacturer: **RANGE SERVANT[®]**
Range Servant AB
Skallebackavägen 11
SE- 302 41 HALMSTAD
Sweden

The Representative:
(To be filled out by a representative established within the EU)

.....
Company
.....
Address
.....
Telephone

Declare that: **Soaker**
Equipment
4000
Type
.....
Serial no., manufacturing no. etc.

A) is in conformity with Council Directive 89/392/EEC of 14 June 1989 concerning approximation of the laws of the Member States relating to equipments in particular as referred to in Annexe I to this Directive concerning essential health and safety requirements in connection with the design and manufacture of equipments, as amended by Council Directive 91/368/EEC of 20 June 1991 on the amendment of Directive 89/392/EEC concerning approximation of the laws of the Member States relating to equipments;

B) *(if applicable)*
are manufactured in accordance with the following regulations, directives etc.:

C) *(if the requirements under A have been fulfilled)* that the harmonised standards 292-1, 292-2 and 292-2A (or parts thereof) have been applied

D) *(if applicable)* are manufactured according to the following national standards and technical specifications:.....

Halmstad,
Date

Elvis Knez
President *Signature*

1.3 Description

1.3.1 Soaker

The Soaker can be used either as a stand-alone unit or be integrated into a complete, automated system - the Range Servant Ball Management System.

Range Servant's user-friendly Soaker is designed to operate on the toughest of ranges. By adding the Soaker to the efficient Ball Washer you will have a system that is capable of removing even the most stubborn dirt from the golf balls. As an additional cleaning agent a mild detergent can be used.

DO NOT USE CLORINE BLEACH OR SIMILAR LIQUIDS. IT WILL DAMAGE METAL COMPONENTS, AS WELL AS THE clear COAT OF THE RANGE BALL.

1.3.2 Ball Management System

Range Servant can deliver a complete, flexible Ball Management System adaptable to any kind of driving range requirements. There is a Ball Dispenser that can be combined with the work-efficient, environment friendly Ball Washer. The Ball Washer in turn can be connected to the Elevator, the Conveyor Belt or the Blower transporting the clean, undamaged balls from Washer to one, or several, Ball Dispensers. The system also includes a Ball Picker which picks up range balls on the driving range. Thus the circle is closed and manual work reduced to a minimum.

By applying our extensive know-how to the specific problems of every driving range we are able to offer tailor-made solutions.

1.4 Identification

When contacting Range Servant, please identify your item with the help of the information contained in the identification plate. The identification plate is well visible and firmly attached and contains the following information:

- Name and address of the manufacturer
- CE-marking
- Designation of series or type of equipment
- Serial no., if any
- Year of manufacture

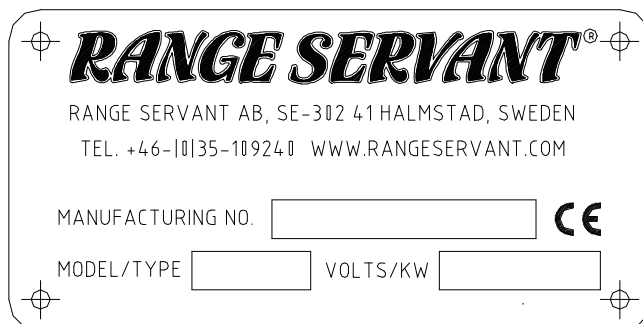


Fig. 1: Product identification plate

1.5 Technical Data

General	Pre-Soaker
Hopper capacity [balls]	4,000
Cleaning capacity [balls/min]	250-450
Water volume [liter] /([gal])	240-300 (63-75)
Dimensions:	
Height [mm] /([in])	915/1210 (36-47.7)
Length [mm] /([in])	1200/1335 47.3/52.6
Width [mm] /([in])	800 (31.5)
Electric system:	
Mains supply [V, 50 Hz]	230
or [V, 60 Hz]	110
Motor (kW)	0.06
Operating Conditions:	
Operating Temperature [°C] /([°F])	+2 - +50 (+35 - +122)

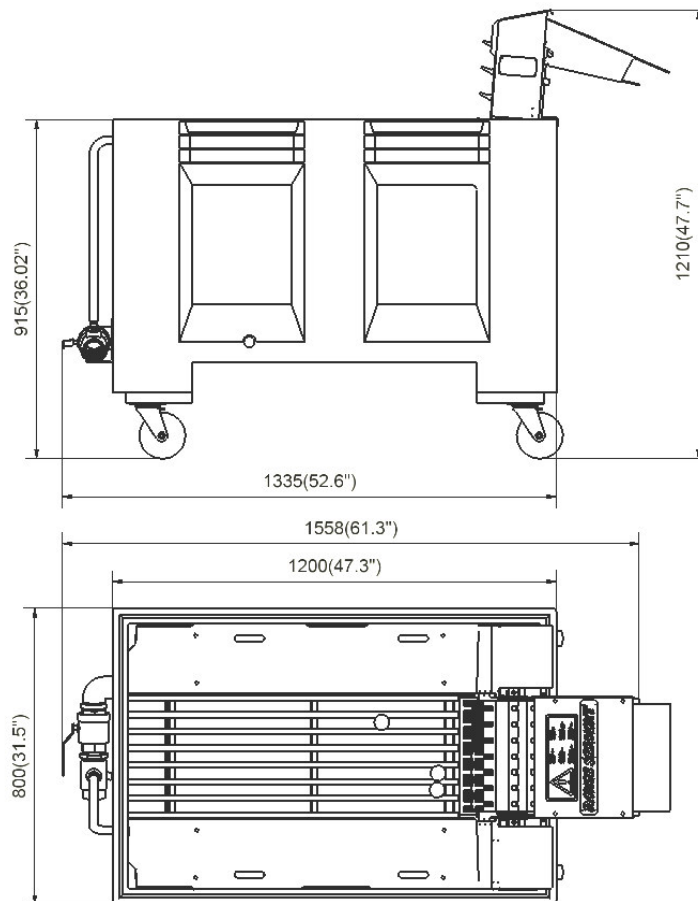


Figure 1: Soaker 4000.

The level of airborne noise has been measured for an identical unit under normal operating conditions.

The values indicate the sound pressure level measured 1 m [39.4"] from the sides of the unit and 1,6 m [63"] from the floor or access platform.

Sound pressure at the machine (dB, Peak) X

Sound pressure at the machine (dB, A) X

The manufacturer reserves the right to alter any details of the products without prior notice.

2 Safety

2.1 General

Safety measures are a combination of measures taken by the manufacturer when designing and building the unit and measures that have to be taken by the user.

The unit has been designed to function for its intended purpose. It has been designed and manufactured in such a way that configuration and maintenance can take place with the least possible risks to the operator, provided such work is carried out according to the instructions laid down in the Instruction Manual.

The objective of the safety measures is to eliminate all accident hazards during the operational life of the unit which also includes the assembly and dismantling of the unit, including any hazards arising as a consequence of such abnormal circumstances as can be anticipated.

Accessories and spare parts that have not been approved by Range Servant can lead to personal injuries and/or equipment damage and affect the operational reliability of the unit. For the sake of safety you should therefore exclusively use accessories and original Range Servant spare parts recommended by Range Servant.

Such accessories and spare parts are specially intended for the unit and are approved by us with regard to safety.

All Range Servant retailers keep accessories and spare parts at your disposal along with competent advice. They also have the technical qualifications necessary for installing your unit and are informed about what technical changes are authorised.

Damage caused by the use of accessories and spare parts not having been approved by Range Servant and damage due to unauthorised technical modifications are not covered by the warranty obligation.

2.2 Conformity with mandatory requirements

The Range Servant ball management units fulfil the personal safety requirements of the EU Machine Directive 89/392/EEC as amended by Directives 91/368/EEC, 93/44/EEC and 93/68/EEC, with a special reference to Annex I of the Directive concerning essential health and safety requirements in connection with the design and manufacture of units, as amended by Directive 91/368/EEC. Furthermore the harmonised standards 292-1, 292-2 and 292-2A (or parts thereof) have been applied.

The electrical equipment fulfil the safety provisions laid down in the EU low voltage directive 73/23/EEC, as amended by directive 93/68/EEC.

2.3 Remaining hazards

There are warning signs serving as a reminder and warning to the user of any remaining risks, i.e. risks that we have not been able to eliminate, or sufficiently minimise, in our design and against which technical safety measures do not provide complete, or sufficient, protection. The warning signs shall be written in the local language and, on request, in the language understood by the respective operator. The signs are yellow with black characters. They are big enough to be readable from a distance of three meters.

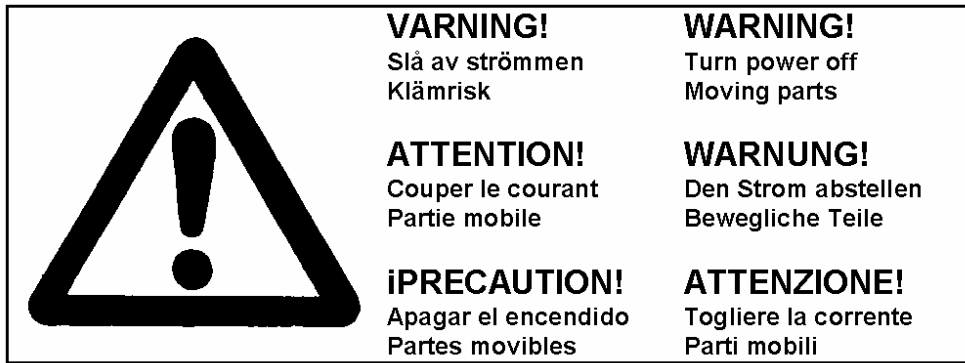


Fig. 2: Warning signs on front hatch

- Always disconnect the power supply to the unit before carrying out maintenance or service work so that it cannot start . The mains switch is located in the control box in the lower corner of the printed circuit board.
- Mechanical or electrical alterations may only be undertaken in consultation with Range Servant.
- If the unit is used at temperatures below 2°C, there is a risk of the water valve and water hoses freezing. To prevent this from happening, empty the unit of water when temperatures approach the freezing point.
- Never put your hands inside the Soaker when it is running.
- The unit should be connected to a drain or other outlet.

2.4 Authorised use

The unit should only be brought into service if installed according to the instructions contained in this Manual.

2.5 Prohibited use

Using accessories or spare parts not recommended by Range Servant might cause personal injury and/or equipment damage and affect the operational reliability of your ball dispenser. For safety reasons, use only those components recommended by us. They are intended for your unit, they have been chosen for safety reasons and they are approved by the manufacturer.

Damage caused by the use of accessories and spare parts not having been approved by Range Servant or damage due to unauthorised technical changes are not covered by the warranty obligation.

2.6 Emergencies

2.6.1 Fire

Water shall be used as an extinguisher in the event of fire, except if the fire is located in the electric equipment, where a carbon dioxide extinguisher must be used.

2.7 Operational reliability

For trouble-free operation and long service life the instructions below should be followed:

- Place the unit on a firm well supported, preferably concrete, level surface.

3 Installation and Operating Instructions

3.1 Removing packing material and installation

- I. Remove the packing.
- II. Position the Soaker on a level surface.
- III. Position the Soaker with the elevator outlet to the ball washer it will be feed in to. If the standard Range Servant washer bin is not to be used for space consideration, mount the special Soaker connection that was supplied, to the ball washer inlet using the two screws and lock nuts. Make sure that the two lockable swivel casters are in the locked position. See Figure 5: Position of Soaker to Ball Washer.

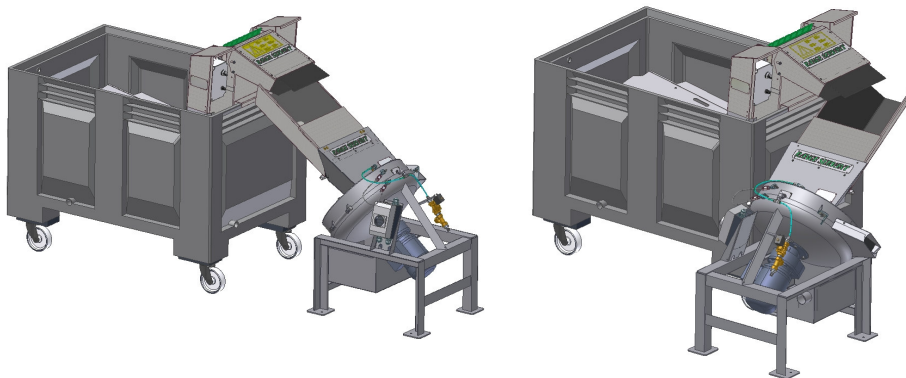


Figure 2: Position of pre soaker to ball washer.

- I. Connect the Soaker to power cord to grounded power outlet. If a range Servant Ball Management System connect the power cord to power outlet on elevator so that the system can use the overflow protection system.

- II. Connect one end of the flexible drain hose to the ball valve and place the other end in a drain. See Figure 3: Connect drain hose.

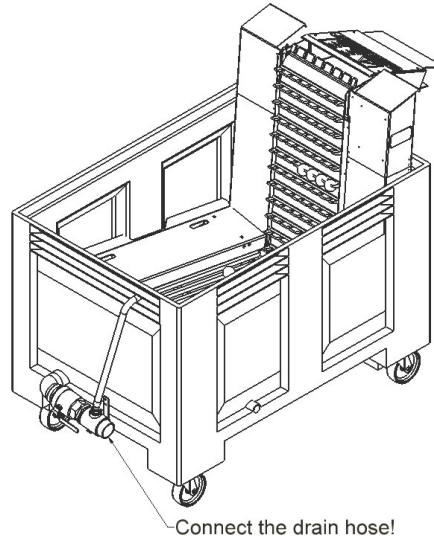


Figure 3: Connect drain hose.

- III. Make sure that the water valve is closed. See Figure 4: Ball valve

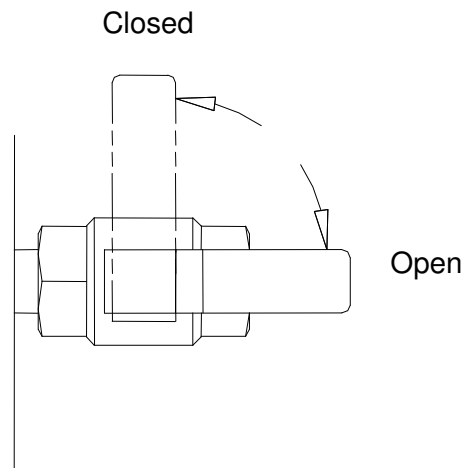


Figure 4: Ball valve

3.2 Operating Instructions

- IV. Fill Soaker hopper with water using a hose until level indicator arrow has been reached. Roughly 5" below overflow drain hole.
- V. Fill Pre Soaker hopper with balls. It holds roughly 4,000 balls.
- VI. Allow balls to soak for 5 to 10 minutes before turning the unit on.
- VII. DO NOT ADD ANY STRONG DETERGENTS SUCH AS, CLORINE BLEACH, since it will damage metal parts. It will also damage clear coat on balls. Use a mild dishwasher detergent if needed.
- VIII. Turn on the unit with the on/off switch.

4 Design and Function

4.1 General

The unit has been designed for the soaking and cleaning of golf balls. The Soaker is composed of an elevator that brings the balls from the hopper to a ball washer. The motor that runs the elevator is powered by 12 Volts for increased safety.

If the elevator is equipped with an adjustable speed control it can be adjusted to match the speed of the washer capacity. The knob that can be turned to either lower or increase the speed of the elevator belt.

The two metal side plates and bottom grid assembly can easily be taken out for cleaning of the bottom of the hopper.

A drain valve and overflow protection system is available for the water before, during and/ or after the soaking of the balls.

Range Servants Soaker has been designed to provide driving range owners with a long-lasting, reliable, practical and economical golf ball management system.

4.1.1 Main Components

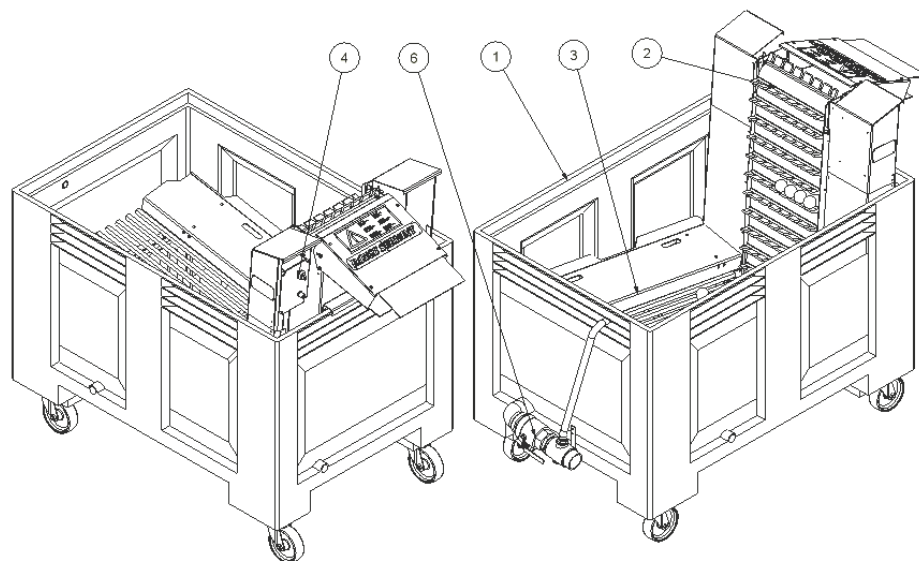


Figure 5: Main Components.

Pos.	Designation
1	Hopper
2	Elevator
3	Bottom Grid and side panels
4	Control Box
5	Ball Valve

5 Maintenance

5.1 General

Range Servant will provide accessories and original spare parts together with competent advice.

Maintenance carried out correctly minimizes defects and ensures maximum service life and reliable operation. Any malfunctions are detected at an early stage and are therefore easily corrected.

Regular maintenance minimizes defects and equipment breakdown. The following maintenance instructions only refer to the most common problems and their causes.

5.2 Periodical maintenance

5.2.1 When the result is not satisfactory

The unit should be cleaned regularly. This is easily done by following the instructions:

- I. Open the water valve and empty the hopper of water.
- II. Take out the two metal side plates and bottom grid assembly. See Figure 6: Periodic maintenance.
- III. Rinse out the inside with clean water and the bottom grid and side panels.
- IV. Put back the bottom grid and side panels.
- V. Close the valve and fill the hopper with clean fresh water up to the correct level.

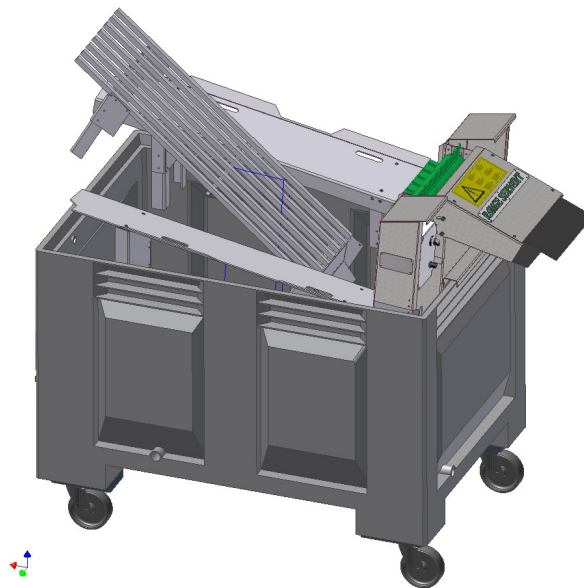


Figure 6: Periodical maintenance.

5.3 Trouble shooting and Repair

The unit is very reliable, but problems may nevertheless arise for various reasons.

SYMPTOM	POSSIBLE CAUSE	SOLUTION
Elevatorm startar inte.	<ul style="list-style-type: none"> ➔ The unit is not connected to the power outlet. 	<ul style="list-style-type: none"> ➔ Plug the unit to power outlet.
	<ul style="list-style-type: none"> ➔ Unit does not start. 	<ul style="list-style-type: none"> ➔ Start by turn the start/stop button.
Elevator does not start.	<ul style="list-style-type: none"> ➔ Speed control has been affected. 	<ul style="list-style-type: none"> ➔ Check that the elevator motor speed control is turn to maxium position, then reduce speed so it matches ball washer capacity.
The unit stops / does not start	<ul style="list-style-type: none"> ➔ Something has gotten stuck in unit. 	<ul style="list-style-type: none"> ➔ Remove possible debris. ➔ Pull in the elevator belt up and down to check that the belt is free from debris and foreign objects.
Dirty water, bad smell	<ul style="list-style-type: none"> ➔ Soaker is dirty. 	<ul style="list-style-type: none"> ➔ Clean Soaker.

Figure 7: Fault analysis chart

6 Spare Parts

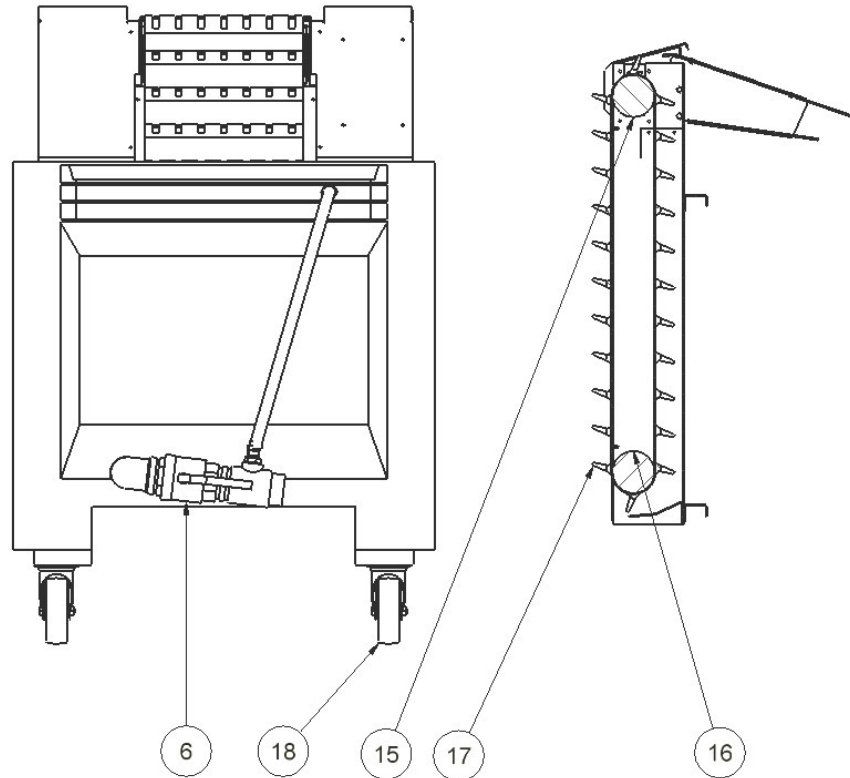


Figure 8: Spare parts for Pre Soaker 4000

6.1.1 Soaker 4000

Item	Part Number	Description	QTY
6	WFA0008	Ball Valve	1
15	WIM0039	Elevator Motor 80S-DC	1
16	WIM0040	Elevator Idler 80S	1
17	WIA0023	Elevator belt	1
18	WIA0000	Swivel Caster and Wheel with stop-fix	2
	930595	Power Control Box	1
	OAE0191	DC-Speed Control Adjustment RX3 (in control box)	1

7 Agents and distributors

To locate your closest sales representative go to Range Servant website lists addresses and telephone numbers of all our agents and dealers. In case of changes, please consult our website, which is continually updated <http://www.rangeservant.com>

7.1 Your Distributor or Sales Representative

