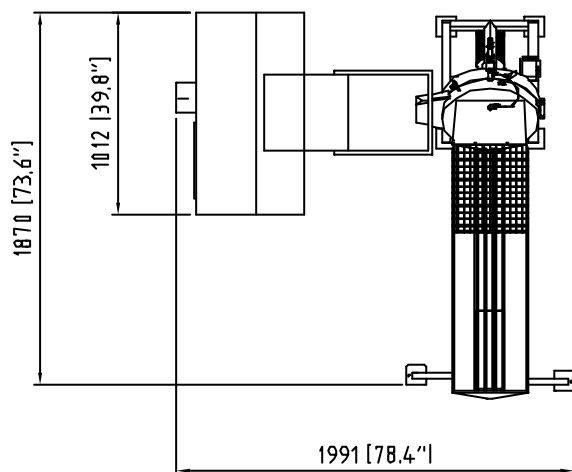
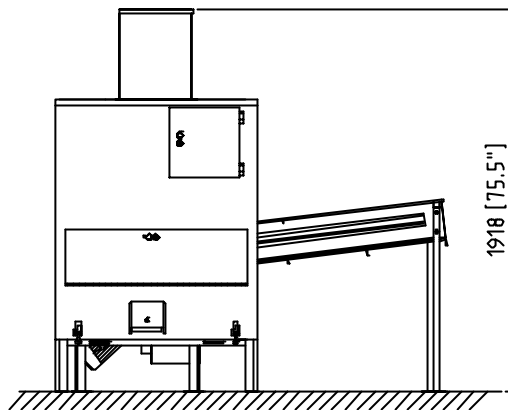
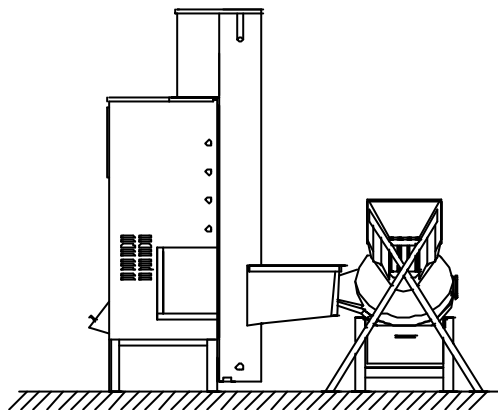


# RANGE SERVANT®

<http://www.rangeservant.com>

## BALL DISPENSER RS-4



### BALL DISPENSER

HOPPER CAPACITY	5 200 BALLS
SETTING	1X9-17X999 BALLS
MOTOR	71 W
VOLTAGE	110 V, 60 HZ

### ELEVATOR

CAPACITY	500 BALLS/MIN
MOTOR	0.18 KW
VOLTAGE	110 V, 60 HZ

### BALL WASHER

HOPPER CAPACITY	1000 BALLS
WASHING CAPACITY	400 BALLS/MIN
MOTOR	0.55 KW
VOLTAGE	110 V, 60 HZ
PLUMBING CONNECTION	R 1/2"
WATER CONSUMPTION	1 GALLON/MIN